

4 Half-Height Device Bay (or 2 Full-Height), Single Power Supply, Tabletop Enclosure

With Support for:

- SCSI Narrow/Ultra Wide
- SCSI Ultra II LVD
- SCSI Ultra III LVD
- Fibre
- Network Attached Storage

*COMPACT & ECONOMICAL
MASS DATA STORAGE*

- Compact Mini Tower/Tabletop Configuration
- Mounts up to four 5.25 inch Half-Height Devices or Optionally Six 3.5 inch (1in. High) Drives
- Supports Hard Drives, CD Drives, Magneto Optical Drives, Tape Drives, and Half-Height Controllers
- Available in Narrow and Ultra Wide SCSI, or Low Voltage Differential (LVD) Interfaces
- Available with Individual Keylocked Drive Trays
- Quality All-Metal Construction and Agency Approved Components Ensure Compliance With UL, CSA, TUV and FCC Standards
- Flexibility in Configuration Options Including a Variety of Cables and Connectors, and Custom Painting to Match any Product, System or Facility Decor
- RJ45 Ethernet Connector Available
- Quality Product Made in the U.S.A. - Three Year Warranty



Note: Shown with optional Drive Trays

Manufactured By:

Caen Engineering, Inc.

2130 N. Glassell St. • Orange, CA 92865, USA
Phone: (714) 998-6300 • Fax: (714) 998-6366
www.caeneng.com • Email: sales@caeneng.com

ELECTRICAL

AC Input Power

Voltage	115/230 VAC ± 15% (Auto Switching)
Frequency	47 to 63Hz
Protection	6A/250V Fuse

DC Output Power

Continuous	250W
+5VDC	26A
+12VDC	9A

ENVIRONMENTAL

Temperature

Operating	0 to 50° C
Storage	-25 to 85° C

Humidity

0 to 95%
Non-Condensing

Altitude

Operating	0 to 10,000 Feet
Storage	0 to 30,000 Feet

PHYSICAL

Dimensions	7.50in. w x 12.75in. d x 11.30in. h
Weight	20Lbs

CONFIGURATION

Device Bays	Supports up to Four 5.25in. Half-Height Devices
Power Supplies	One 250W Power Supply

CONNECTOR LOCATIONS

Standard	One Centronics Location Four SCSI 2/3 Locations
-----------------	--

COOLING

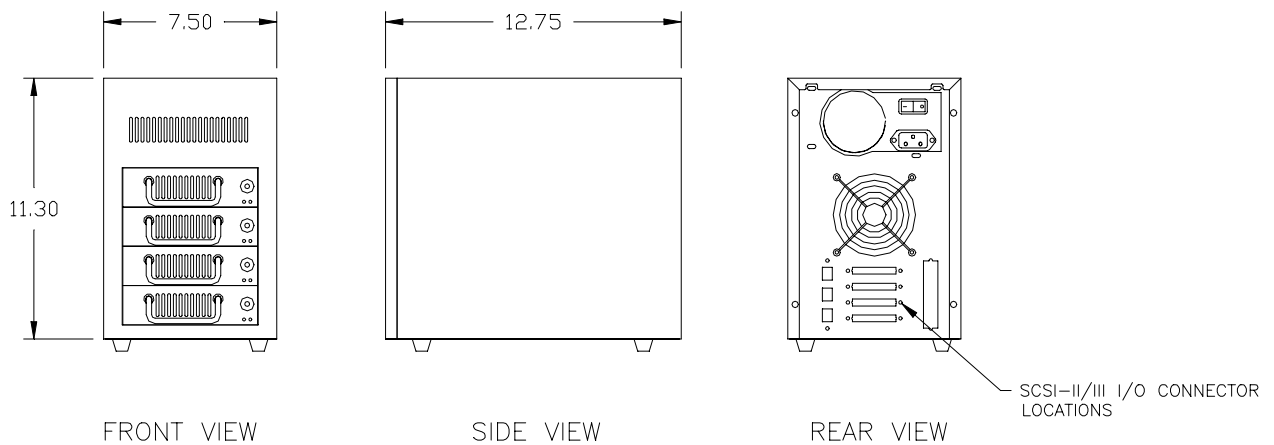
One 12VDC, 51CFM Fan Provides Front to Rear Cooling

ACCESS

Cabling Through Easy to Remove Top Cover

ADDITIONAL OPTIONS

RJ45 Connector
Logo Silkscreening
Custom Painting
Beige, Black or White (Custom Colors Available)



TE104

Caen Engineering, Inc.

2130 N. Glassell St. • Orange, CA 92865, USA
Phone: (714) 998-6300 • Fax: (714) 998-6366
www.caeneng.com • Email: sales@caeneng.com